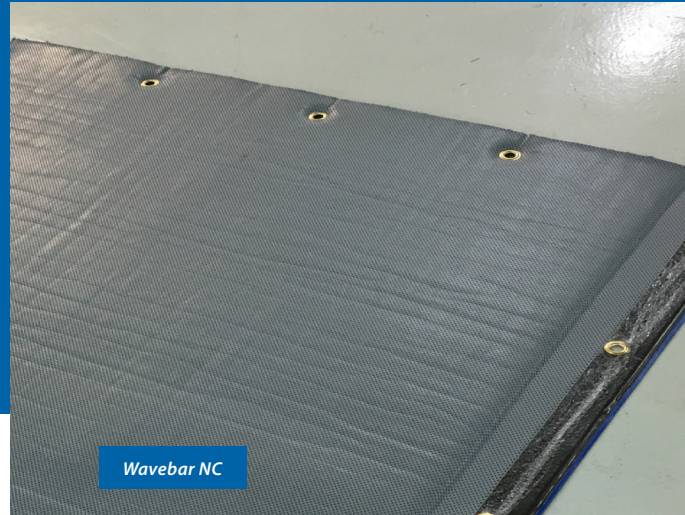


WAVEBAR® / WAVEBAR® NC

This installation guide provides recommendations for the application of Wavebar® and Wavebar® NC as a 'noise curtain'.



Wavebar NC

WORKING HEALTH AND SAFETY

- Personal Protection Equipment (PPE), including eye protection, gloves and safety clothing is recommended.
- Always follow, read and understand any information contained within the product technical datasheets and safety data sheets.
- If unsure, please consult with your local Pyrotek representative.

Note: This installation is suitable for professional and experienced users only.

DESCRIPTION

Wavebar® products are flexible mass-loaded noise barriers used for blocking noise transfer between areas. The range is offered in varying surface densities and thicknesses.

Standard Specifications:

- Thicknesses : From 1.2 mm to 4.0 mm
- Surface densities : From 2 kg/m² to 8 kg/m²
- Roll lengths : 5 or 10 lineal metres

Please refer our website www.pyroteknc.com to see the latest information page on the complete range of products.

PRODUCT COMPOSITION

From our range of 'Wavebar' mass barriers, Wavebar® and Wavebar® NC are recommended for use as 'noise curtains' to enclose or isolate noisy equipment or operation and personnel areas.

PRODUCT	PROPERTIES	ROLL WIDTH
Wavebar®	Plain facing with reinforced backing	1380 mm
Wavebar® NC	Tear resistant, high tensile strength tarpaulin base fabric backing.	1000 mm

POINTS TO NOTE WHEN INSTALLING

- Wavebar is heavy. Rolls over 25 kg require two persons to lift
- Providing an 'airtight' assembly achieves best noise reduction
- Sealing all joins with an overlap of 50 mm is recommended. Use Pyrotek's "Fix15" to seal joins and edges. See Page 2 for "Options for joining Wavebar sheets"

Pyrotek's Wavebar® and Wavebar® NC are recommended for use as 'noise curtains'. Refer to Wavebar® TDS-311IP and Wavebar® NC TDS-314IP for more information.

applications

- Construction sites - Both indoor and outdoor
- Enclosures for industrial equipment - punch presses, blowers, drops saws, granulators and generators
- Portable acoustic curtain - draped over fencing to create an acoustic barrier
- Noise curtain for portable mobile equipment including jackhammers, drilling rigs and pile drivers
- Can be designed to be installed into a C-track support system for moveable / concertina curtains

GENERAL GUIDELINE RECOMMENDATION

TOOLS FOR INSTALLING WAVEBAR

Wavebar® products require only basic tools for installation (See images for reference)

- A. Retractable safety blade / knife
- B. Tape measure
- C. Large square
- D. Straight edge

Other joining and fastening accessories such as insulation pins, suitable plasticizer resistant adhesives like Pyrotek's "Fix15", PU sealants, may be required when installing Wavebar®.

WAVEBAR USED AS CURTAINS OR ENCLOSURES

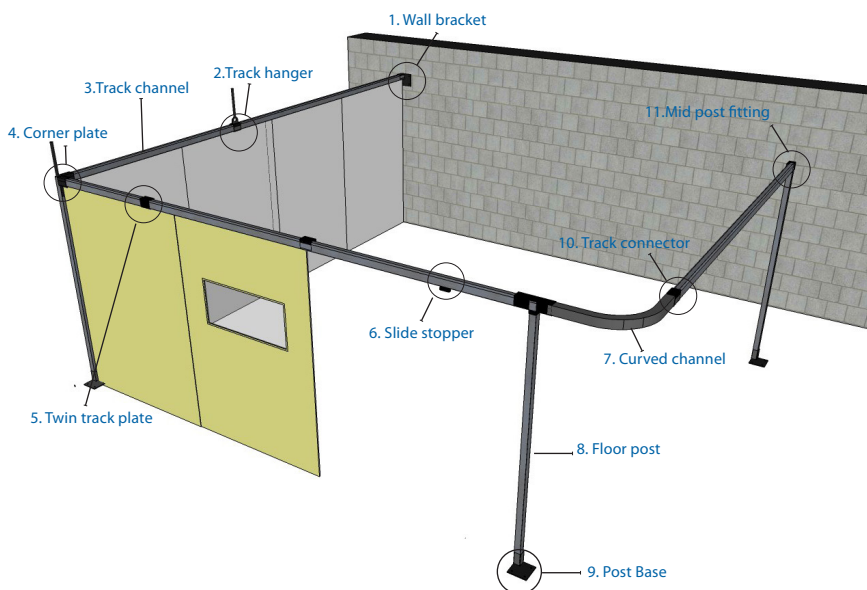
Wavebar® can be installed either:












- As portable curtain screens with adjustable feet for partial enclosures
- Or as complete enclosures with a curtain and track system that is either ceiling or floor-mounted and wall supported.

TYPICAL CURTAIN AND TRACK FRAMEWORK

Use the following illustration and details of hardware accessories as a general guideline to customise and design your curtain and track framework for installing Wavebar. Alternatively, Pyrotek can provide, on request, modular curtain systems with 'curtain and track' framework.

Please contact your local Pyrotek representative for more information.



- | | |
|--|---|
|  | 1. Wall bracket - Mount track to wall |
|  | 2. Track hanger - Ties track sections to threaded rod mounted to ceiling deck |
|  | 3. Track channel - Channels of desired lengths to form the framework |
|  | 4. Corner plates -
a) to create 90 degree corners mounting
OR b) corner plate for ceiling-supported systems can be used as needed |
|  | 5. Twin track plate - Used to create sliding doors |
|  | 6. Slide stopper - Limits movements of sliding sections |
|  | 7. Curved track channel - For corners requiring curved or other desired angles |
|  | 8. Floor post - Vertical support section |
|  | 9. Post base - Anchors floor posts with floor support anchors |
|  | 10. Track connectors - Connects two track sections |
|  | 11. Mid-post fitting - For floor supported system. Mounts to walls, fits on floor posts and track |



VARIATIONS

- Choice of absorber materials including polyester or fibreglass with thicknesses from 12 to 38 mm can be laminated or quilted to one or both sides to create a curtain composite. (Contact Pyrotek for more information on modular curtain systems)
- Pyrotek can offer clearview PVC for integrating into the curtain system as doors and windows.

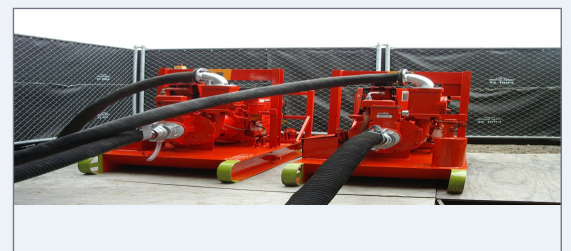
BASIC GUIDELINES:

- Wavebar can be installed as curtains to provide partial or complete enclosures around noisy areas. It can be cut to any desired shape, width or length and draped in long lengths as curtain sheets.
- Provide an overlap of at least 50 mm at adjoining sheet joins.
- If adjoining sheets are not sealed or fastened, provide an overlap of up to 150 mm.
- To hang Wavebar, fix reinforced brass eyelets at the top of each sheet. Fix the eyelets 50 mm from the top of the sheet, 50 mm in from the edge, and spaced at 150 mm centres. Heavy duty UV resistant cable ties or rings can be used to suspend the curtain.
- Ensure that the framework provides adequate strength to support the curtain system.

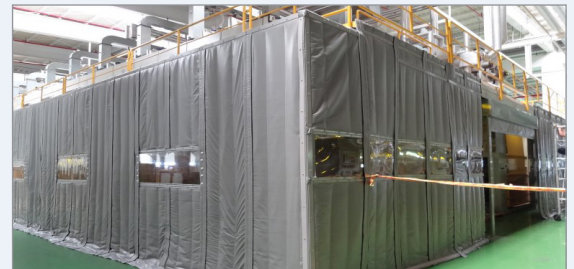
OPTIONS FOR JOINING WAVEBAR SHEETS:

1. Adjoining sheets can be joined using Pyrotek's 'Fix15'. Apply the adhesive on both surfaces and applying firm pressure of approximately 5 to 10 kg/m² on the bonded sheets. It is important to carry out a trial before installing the sheets. Alternatively, use a polyurethane sealant or any solvent based adhesive can be used if not using 'Fix15'.
2. Rivets with washers can be used if gluing is not preferred.
3. Wavebar can be sewn or sonically welded
4. Curtain sheets with holes punched along the vertical edges with polyester or nylon threaded fasteners to join adjacent sheets can be supplied on request.
5. Hook & loop fastening strip can be sewn to the curtain edges. Hook and loop interlocking fasteners are adhesive on one side and have either a male (hook) or female (loop) weave on the other.

Portable partial screens



Complete enclosures using curtain and track system



Please contact Pyrotek® for further information or detailed advice on your specific application.