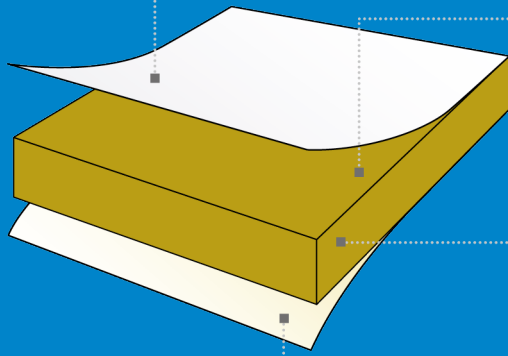


# Tonga<sup>®</sup> A 22

Decorative glass fiber veil in white,  
EuroColors or EuroDesign

High density  
stone wool panel,  
22 mm thick



A Edges

Natural glass veil  
on reverse side

## KEY FEATURES

- Acoustic absorption:  $\alpha_w = 1$
- Reaction to fire: A1 (white) and A2-s1, d0 (colors)
- Light reflection: > 87% for white
- 100% flat irrespective of the moisture content
- Reduction in artificial lighting needs
- Natural light intake > 6% for white
- Over 600 format and veil combinations
- 15-year warranty
- IAQ: Class A+





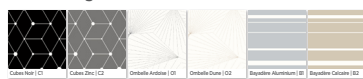
40 EuroColors



Custom colors service



6 EuroDesign



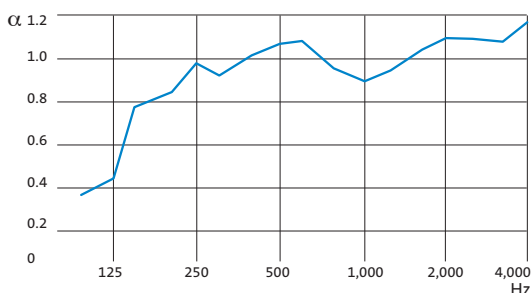
# TONGA® RANGE

## Tonga® A 22

- > Rigid stone wool self-supporting panel.
- > Decorative veil on the visible side.
- > Reinforced by a natural glass fiber veil on the reverse side.
- > Designed to be installed on T15 - T24 grids.



### Acoustic absorption



- $\alpha_w = 1$  : class A / NRC = 1



### Light

- **Light reflection:** The light reflection coefficient is superior to 87% for white.
- **White:** L = 94.8% - according to ISO 11664-4.
- **Gloss:** Matt - The gloss value is 0,74% with 85° angle - according to ISO 2813.
- **Light diffusion:** 100% of the light is diffused.
- **Natural light intake:** 6% improvement in natural light distribution.
- **Lighting needs:** 11% reduction in artificial lighting needs.



### Fire reaction

- According to EN 13501-1:
  - For white: Euroclass A1.
  - For colors and patterns: Euroclass A2-s1, d0.



### Fire resistance

- Tonga® A 22 ceilings (600 x 600 mm) installed on a T24 **QUICK-LOCK®** grid (see test report) satisfy the requirements of Section CO13 in the French fire regulations for public-access buildings.

Classification	Modules (in mm)	Load-bearing structures	Additional insulation
REI 30	600 x 600	Concrete, Steel	No
REI 30	600 x 600	Timber, Concrete, Steel	160 mm Eurovlène® 603

- Tonga® A 22 ceilings (up to 2,400 x 600 mm) installed on a T24 **QUICK-LOCK®** grid (see test reports) are SF30 according to Belgian standard NBN 713-020.



### Humidity performance

- 100% flat irrespective of the moisture content.



### Environment and health

- Mineral wool is recyclable, and the vast majority of production waste is recycled. The recycled content of the mineral wool of our Tonga® A 22 panels is 45%.
- For projects based on LEED®, BREEAM® and HQE™ Green Building certifications, EPD (Environmental Product Declarations) are available. Contact us.
- Eurocoustic is certified to ISO 14001: 2015 «Environmental Management Systems».

### Healthcare

- Eurocoustic stone wool is certified by EUCEB (European Certification Board for mineral wool product).
- Stone wool panels are manufactured with fibers exempt from the carcinogenic classification (European Regulation 1272/2008 as amended by European Regulation 790/2009). According to the International Agency for Research on Cancer, mineral wool is not classifiable as to its carcinogenicity to humans (Group 3).



### CE marking

- DoP no.: 0007-01 (white) - 0007-02 (colors).



### Indoor Air Quality

- Tonga® A 22 products are classed A+.



### Installation

- Installation must conform to the requirements of the DTU 58.1 code of practice, the NF P 68203-1 and 2 standards and other applicable standards and codes of practice according to the type of room.
- You are advised to ensure that air can circulate between the rooms and the plenum to balance the temperature and pressures on each side of the ceiling.
- Tonga® A 22 ceilings are fitted on T15 - T24 grids.
- Tiles can be cut with a craft knife without generating any noise or dust.
- The direction in which the panels should be installed is indicated on the back of the panels.
- Contact us if any mineral wool is to be laid in the plenum.



### Cleaning

- The surface of Tonga® A 22 ceilings does not retain dust, which makes them easier to clean.
- Tonga® A 22 ceilings can be cleaned using light brush / vacuum cleaner.
- This type of cleaning will help extend the service life of Tonga® A 22 ceilings.

### AT A GLANCE

Color	White 09	EuroColors	EuroDesign
Edges	A		
Grids	T15 - T24		

### Module size (mm) and packaging

	600	600	600	600	600	600	600	1200
Width	600	1200	1500	1720	1800	2000	2400	1200
Length	600	1200	1500	1720	1800	2000	2400	1200
Thickness	22	22	22	22	22	22	22	22
Panels/pack	24	12	10	10	10	10	6	6
m²/pack	8,64	8,64	9,00	10,22	10,80	12,00	8,64	8,64
Packs/pallet	18	18	20	20	20	20	18	17
Service class	A	A	B	C	B	B	B	B

EuroColors : available in 600 x 600/1200/1500/1800/2000/2400 and 1200 x 1200.

EuroDesign : available in 600 x 600 and 600 x 1200.

Tonga® A 22 ceiling packs are shrink-wrapped for protection. Pallets are wrapped in plastic film and must be stored under cover .