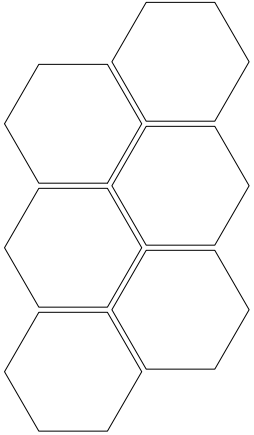
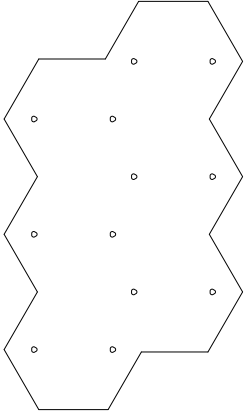
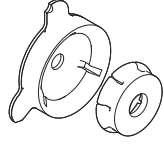
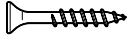
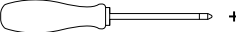
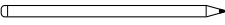

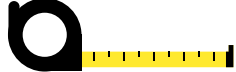


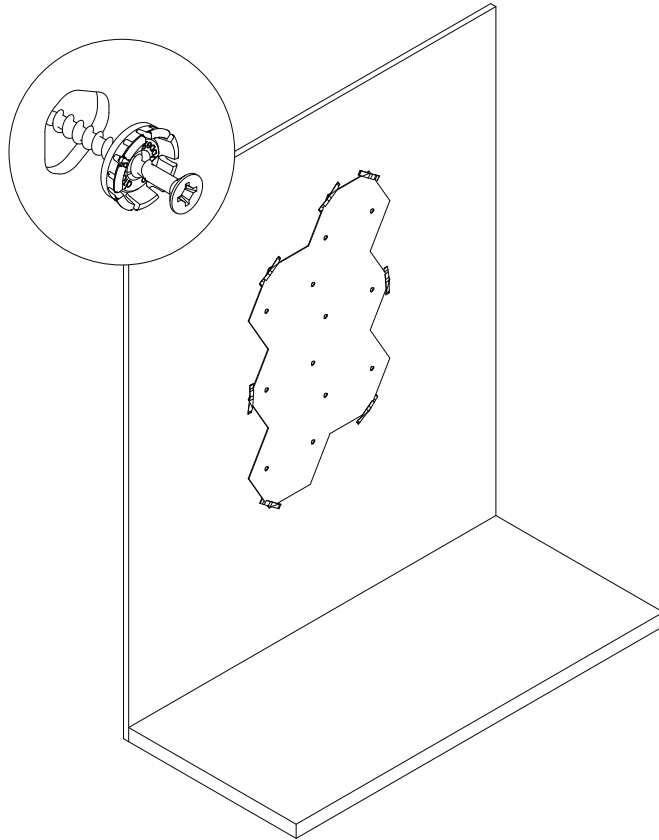
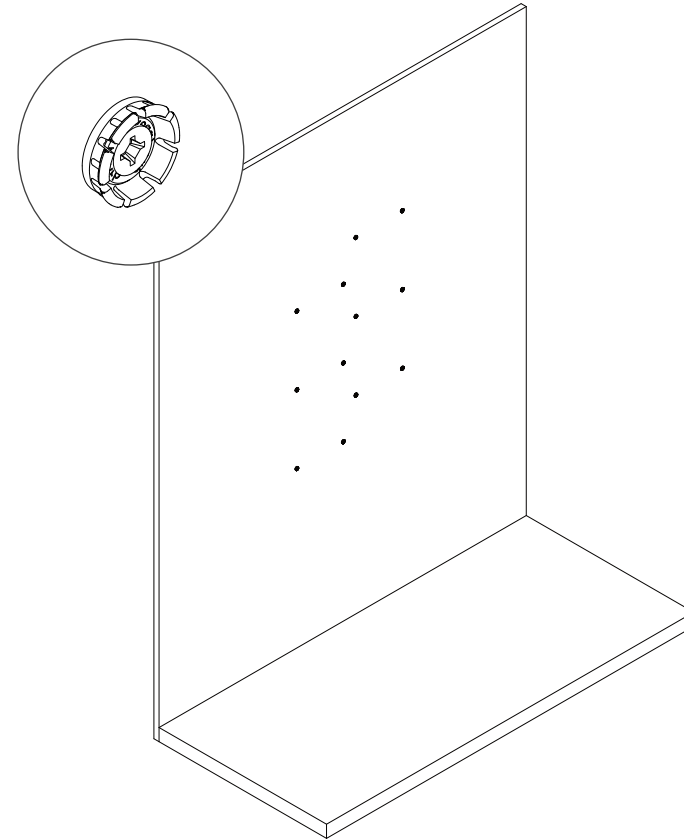


PACK INCLUDES

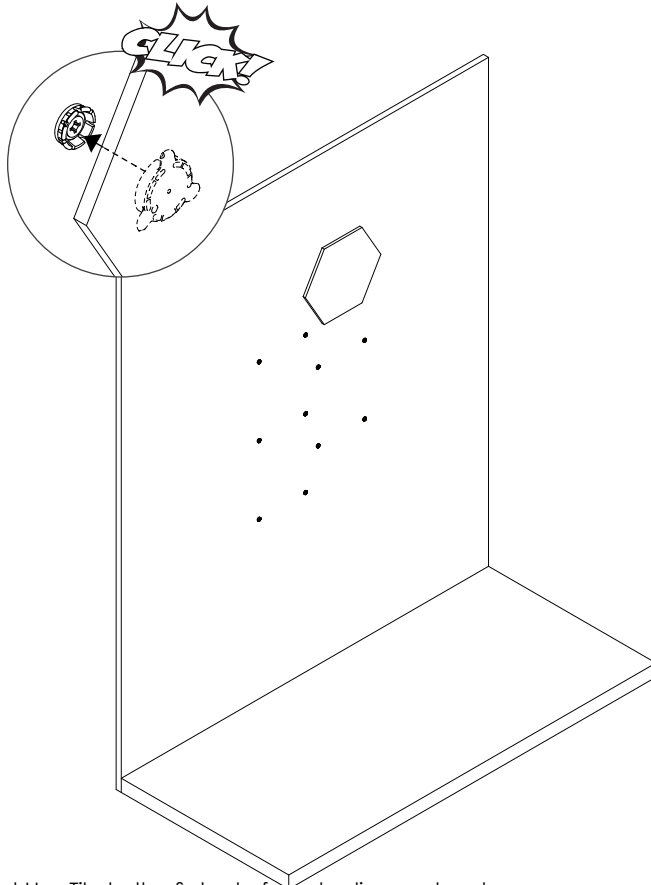
<p>dbTile Hex</p> 	<p>dbTile Hex Stencil</p> 	<p>Ready-Clip</p>  <p>Screws 8g GIB Screws</p> 	<p>Not Included</p>  <p>Phillips or Drill</p>  <p>Pencil</p>  <p>Masking Tape</p>  <p>Measuring Tape</p>  <p>1 x person assembly</p>  <p>1 x ladder recommended (for ceiling or high placement)</p>
---	---	--	---



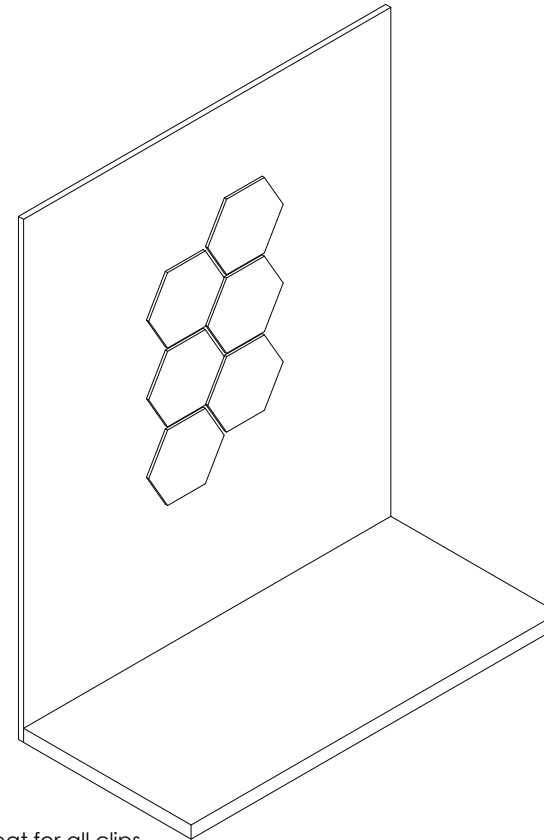
1 Attach stencil to wall using tape or staples etc.
Screw male Ready-Clip™ into each hole



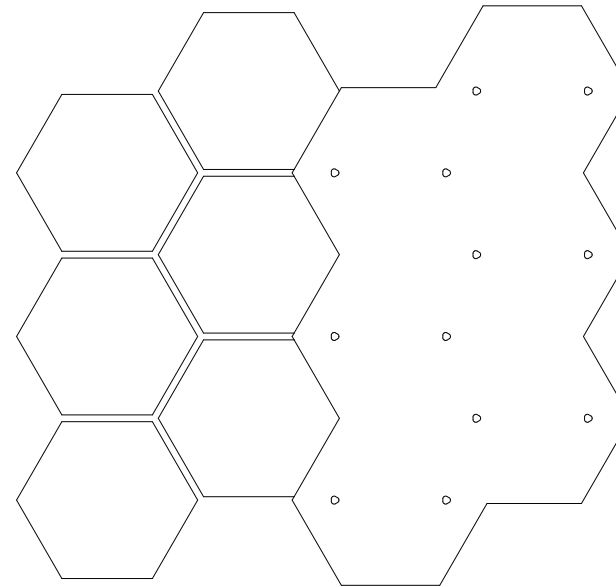
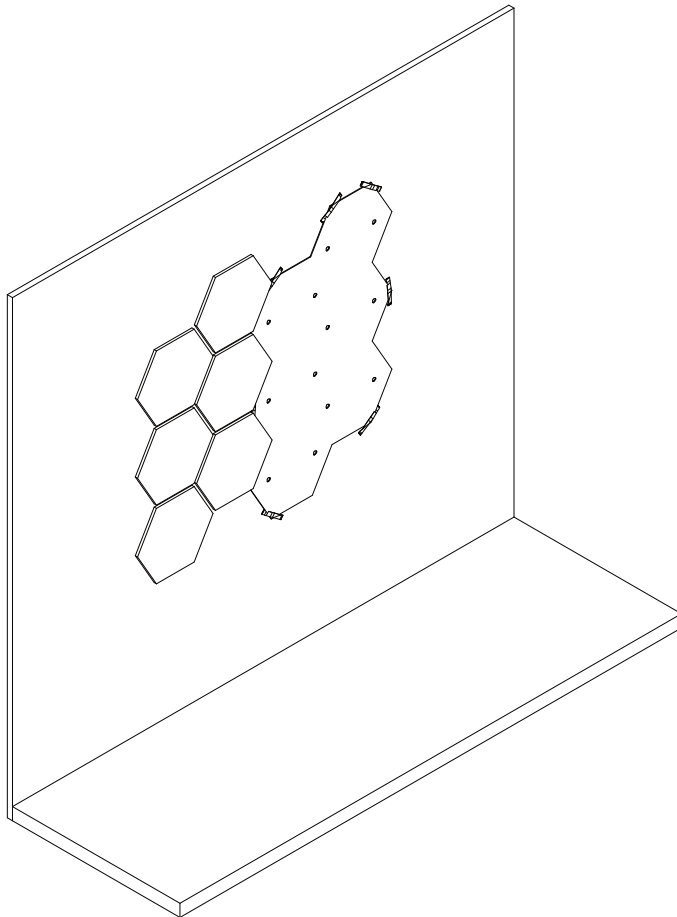
3 Remove stencil.



3 Align first Hex Tile to the first set of ready clips, and push firmly until the male clicks into the female Ready-Clip™



4 Repeat for all clips



5 To repeat the tiles across, align stencil to fixed tiles, and repeat step 1-4