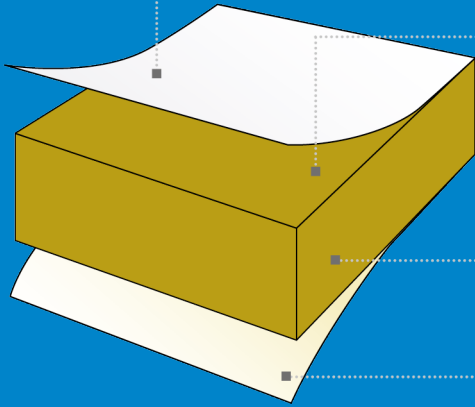


Tonga[®] Therm A 80

Decorative glass fiber veil
in white or EuroColors

High density
stone wool panel,
77 mm thick



A Edges

Natural glass veil
on reverse side

KEY FEATURES

- Thermal-acoustic solution
- Acoustic absorption: $\alpha_w = 1$
- Thermal resistance: 2.20 m². K/W
- 100% flat irrespective of the moisture content
- IAQ: Class A+
- Compatible with French thermal building regulations (RT 2012)
- ACERMI Certification





40 EuroColors



Custom colors service



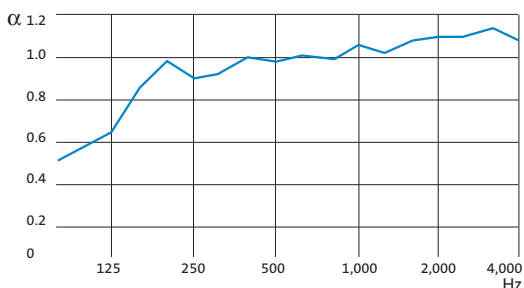
TONGA® THERM RANGE

Tonga® Therm A 80

- > 77 mm rigid stone wool panel.
- > Decorative veil on the visible side.
- > Reinforced by a natural glass fiber veil on the reverse side.
- > Designed to be installed on T24 - T35 grids.



Acoustic absorption



- $\alpha_w = 1$: class A / NRC = 1



Light

- **Light reflection:** The light reflection coefficient is superior to 87% for white.
- **White:** L = 94.8% - according to ISO 11664-4.
- **Gloss:** Matt - The gloss value is 0,74% with 85° angle - according to ISO 2813.
- **Light diffusion:** 100% of the light is diffused.
- **Natural light intake:** 6% improvement in natural light distribution.
- **Lighting needs:** 11% reduction in artificial lighting needs.



Fire reaction

- According to EN 13501-1:
- For white: Euroclass A1.
- For colors: Euroclass A2-s1, d0.



Humidity performance

- 100% flat irrespective of the moisture content.



Thermal resistance

- Tonga® Therm A 80 ceilings offer thermal resistance measured according to EN 12667 and are ACERMI-certified according to EN 13162:

| Thickness | Thermal resistance |
|-----------|---------------------------|
| 77 mm | 2.20 m ² . K/W |

- Compatible with French thermal building regulations (RT 2012).



Resistance to bending

- According to EN 13964 - Annex F, Tonga® Therm A 80 ceilings are classified as C/195N/m².
- This value should be kept in mind if any mineral wool is to be laid in the plenum.



Environment and health

Environment

- Mineral wool is recyclable, and the vast majority of production waste is recycled. The recycled content of the mineral wool of our Tonga® Therm A 80 panels is 45%.

- For projects based on LEED®, BREEAM® and HQE™ Green Building certifications, EPD (Environmental Product Declarations) are available. Contact us.
- Eurocoustic is certified to ISO 14001: 2015 «Environmental Management Systems».

Healthcare

- Eurocoustic stone wool is certified by EUCER (European Certification Board for mineral wool product).
- Stone wool panels are manufactured with fibers exempt from the carcinogenic classification (European Regulation 1272/2008 as amended by European Regulation 790/2009). According to the International Agency for Research on Cancer, mineral wool is not classifiable as to its carcinogenicity to humans (Group 3).



CE marking

- DoP no.: 0007-12 (white) - 0007-13 (colors).



Indoor Air Quality

- Tonga® Therm A 80 products are classed A+.



Installation

- Installation must conform to the requirements of the DTU 58.1 code of practice, the NF P 68203-1 and 2 standards and other applicable standards and codes of practice according to the type of room.
- You are advised to ensure that air can circulate between the rooms and the plenum to balance the temperature and pressures on each side of the ceiling.
- Tonga® Therm A 80 ceilings are fitted on T24 - T35 grids.
- Tiles can be cut with a craft knife without generating any noise or dust.
- The direction in which the panels should be installed is indicated on the back of the panels.



Cleaning

- The surface of Tonga® Therm A 80 ceilings does not retain dust, which makes them easier to clean.
- Tonga® Therm A 80 ceilings can be cleaned using light brush / vacuum cleaner.
- This type of cleaning will help extend the service life of Tonga® Therm A 80 ceilings.

AT A GLANCE

| | White 09 | EuroColors |
|-------|-----------|------------|
| Color | White 09 | EuroColors |
| Edges | A | |
| Grids | T24 - T35 | |

Module size (mm) and packaging

| | White 09 | EuroColors |
|----------------------|----------|------------|
| Width | 600 | 600 |
| Length | 600 | 1200 |
| Thickness | 77 | 77 |
| Panels/pack | 12 | 6 |
| m ² /pack | 4,32 | 4,32 |
| Packs/pallet | 10 | 10 |
| Service class | A | A |

Tonga® Therm A 80 ceiling packs are shrink-wrapped for protection. Pallets are wrapped in plastic film and must be stored under cover.