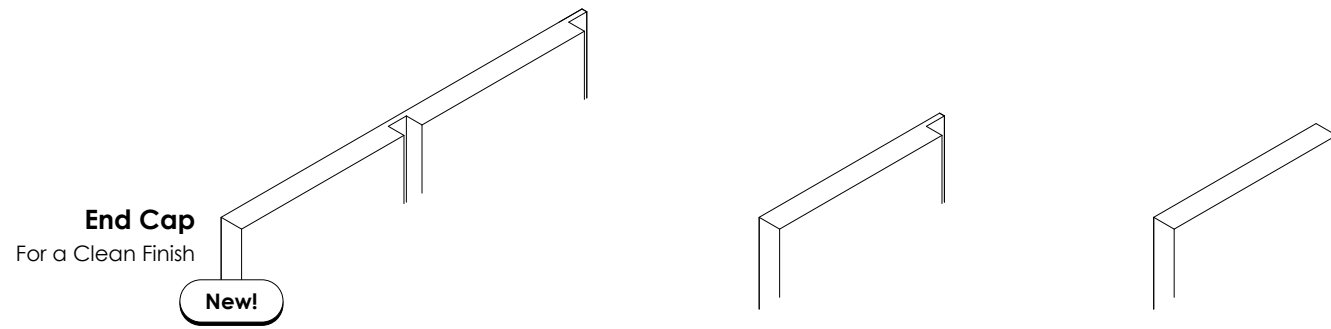
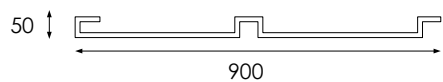
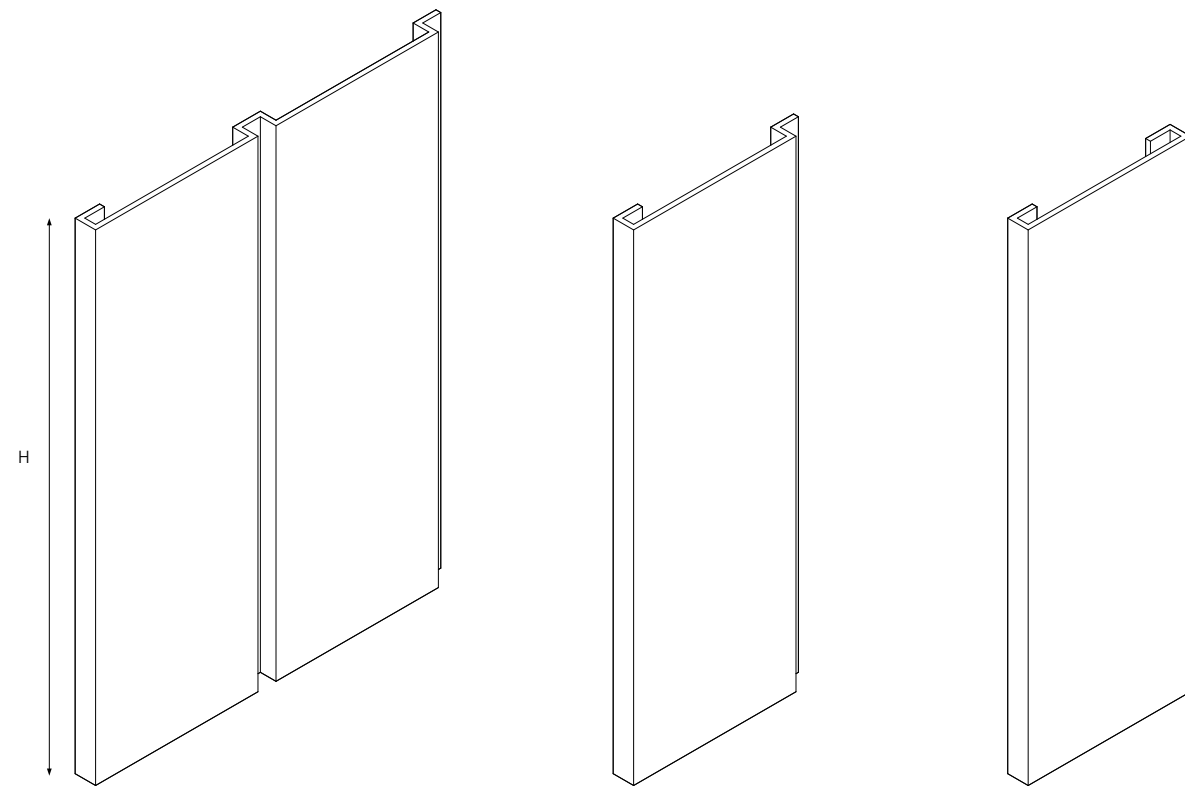
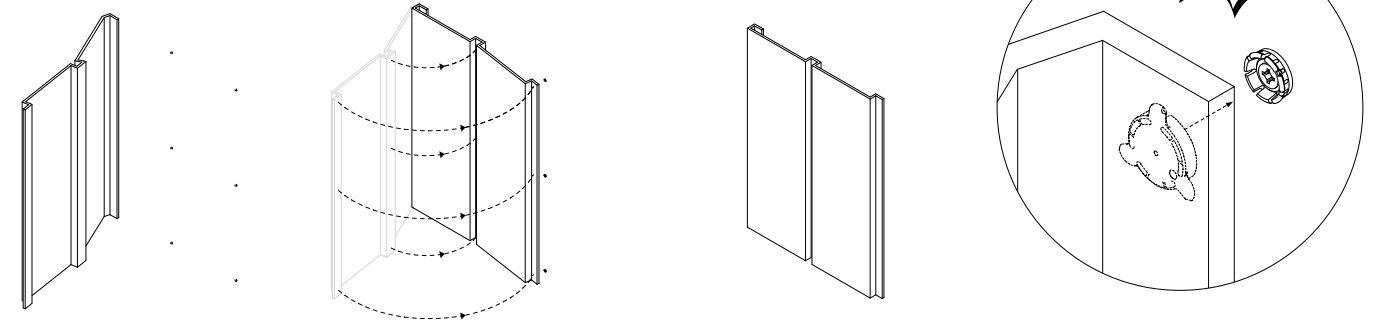


dbSilent Panel™ Modular Acoustic system

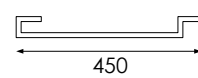
Ready-Clip™ System 



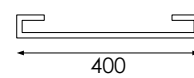
Ready-Clip™ Glue Free mounting system



Double
Continuous Module

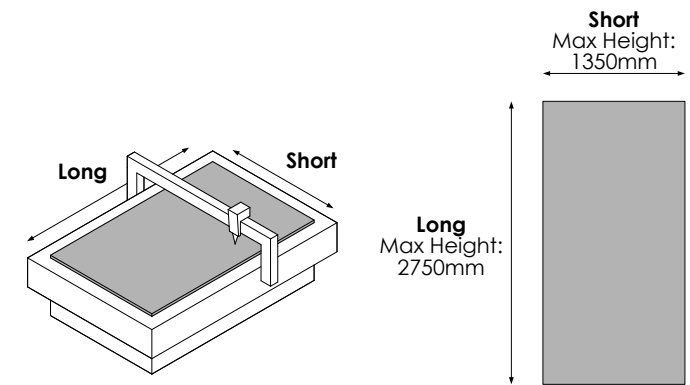


Single
Continuous Module





Single
End Module

	Short Max Height	Long Max Height
No End Cap	1350mm	2750mm
Single End Cap	1250mm	2650mm
Double End Caps	1100mm	2500mm





 Ready-Clip™
Glue Free mounting system

 EN 13501-1:2018: B - s1, d0

 Composition:
100% PET (up to 60% recycled content)


 Print designs available

 No loose fibres

 Made in NZ
Non-Toxic, Non irritant
Glue Free, Low VOC

 NRC 0.9
NRC 1.1 with Absorber

 Antibacterial

 Environmental:
Global Recycled Standard (GRS) 4.0
OEKO-TEX® Confidence In Textiles –
STANDARD 100. Tested for harmful
substances. Annex 6" Low VOC

acoustic solutions for every space.