

Installation Instructions



Step 1

Ensure that the stud opening is square and level and measures:

Stud opening sizes for Herline /Liftoff Hinges

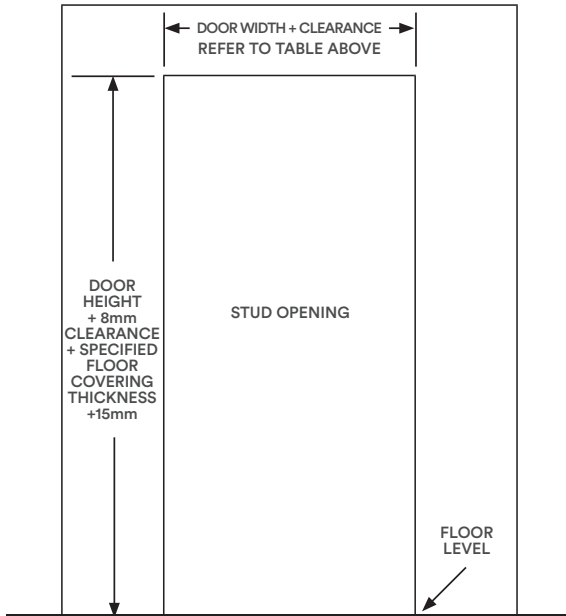
Width Single Door	Door Width +25mm Clearance
Width Double Door	Door Width +28mm Clearance
Height	Door Height +8mm Clearance +Specified Floor Covering Thickness +15mm

Stud opening sizes for RY-60 Concealed Hinges

Width Single Door	Door Width +40mm Clearance
Width Double Door	Door Width +63mm Clearance
Height	Door Height +8mm Clearance +Specified Floor Covering Thickness +15mm

*depending on floor clearance. Check with the Project Manager on site to confirm floor coverings.

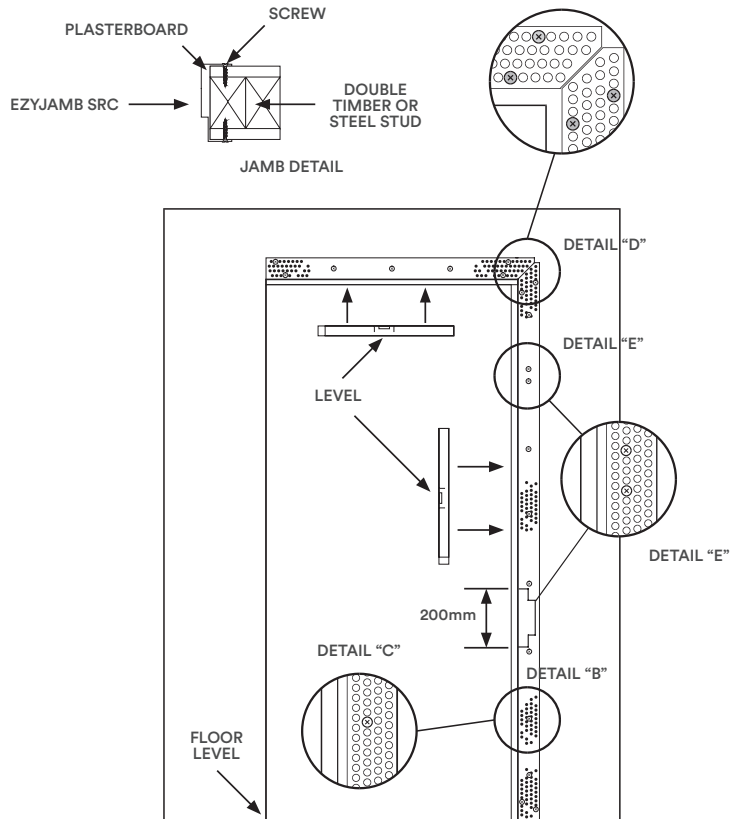
i Make sure the frame opening has double studs, it is strongly recommended to use timber studs or a minimum 0.75 BMT metal stud on both sides of the opening.



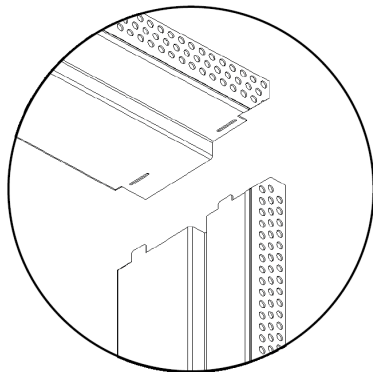
Step 2

Fasten hinge side first, making sure jamb is level and as tight against stud opening as possible. Then screw at 200mm centers up stile, screwing back through plasterboard into stud work See Detail 'B' and 'C'.

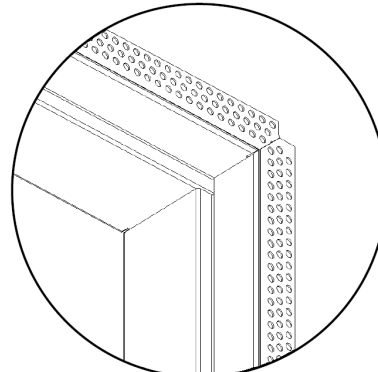
Double screw all ends as Detail D. and beside hinge position - both above and below hinge as Detail E.



Step 2A | Head Installation



Locate fixing tabs to header.



Corner Detail Completed

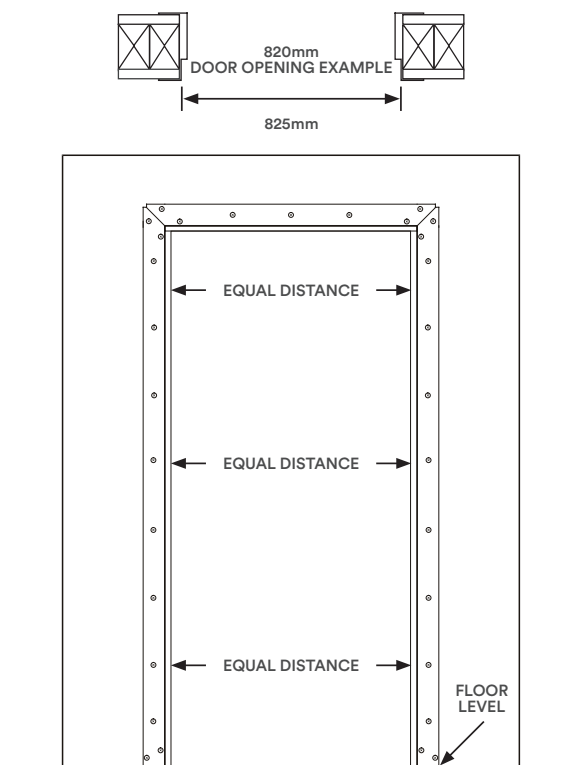
Information contained within this document supersedes all previous versions and is subject to change without notice.

Installation Instructions

Step 3

Fasten the final vertical section (strike jamb) below the head section. Ensure that the spacing between the two vertical sections are spaced evenly at the required distance.

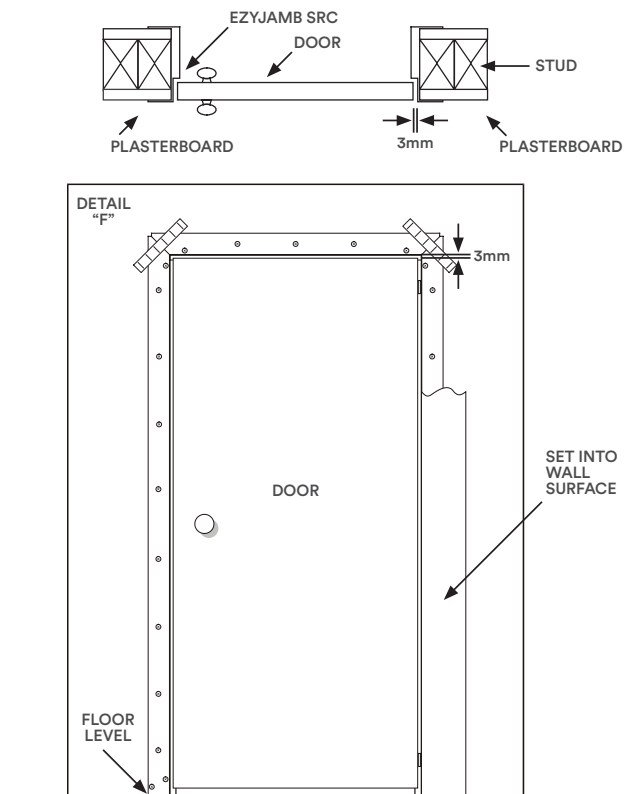
ie: 820mm door, opening is 825mm
720mm door, opening is 725mm



Step 4

Ensure the perforated side strips sit flat against the plasterboard to enable the jamb sections to be easily set into the wall surface. All the corners must be taped and plastered/jointed in as Detail F. Finish the jamb with approved plaster/jointing compound.

Hang the door in position leaving about 3mm clearance from the top and the hinged side using the EzyJamb Standard or Concealed Hinges. Surface mount the striker plate into position to align with the latch plate punching.



Completed Installation

The completed jamb is flush finished and can be painted in with the whole wall area to fully conceal any fixing, achieving simple clean lines around the door face.

For further information or assistance in installation of EzyJamb products, please visit:

www.ezconcept.com.au/installation

