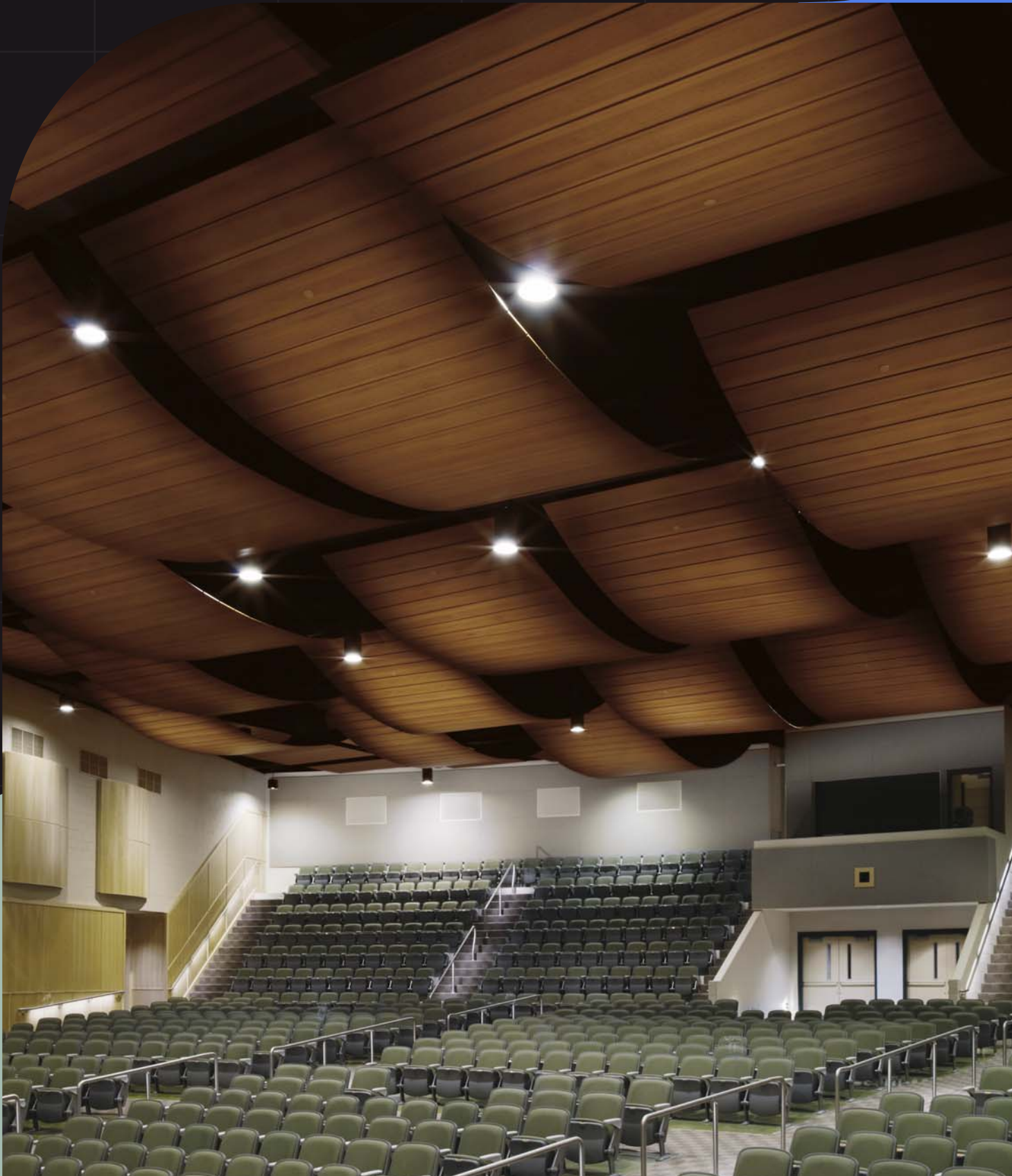


Metalworks F-Plank

Armstrong[®]
CEILING SOLUTIONS



METALWORKS F-PLANK

Metalworks F-Plank

Flexibility is the key with MetalWorks F-Plank, which combine a range of profile and colour options with the ability to transition from ceilings to walls – all with a sophisticated clean visual

Due to printing limitations, shades may vary from actual product.

Benefits

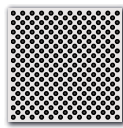
- Acoustical options with microperforated panels
- Custom finishes available
- Durable – Washable, Scrubbable, Impact-resistant, Soil-resistant
- Fast and easy installation
- Three Profile widths: 100, 200 and 300mm (nom) including a 20mm reveal
- Flexible Installation: On the ceiling, on the wall, or create 90° angled or curved ceiling-to-wall transitions

Typical Applications

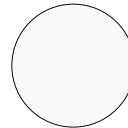
- Airports / Bus / Train Stations
- Atrium, Lobby / Reception Areas
- Restaurants
- Education – Lecture theatres and libraries
- Open Plan spaces



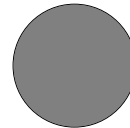
Plain Non Perforated



Micro Perforated
Hole diameter: 1.5mm
Open area: 22%



White (WH)



Silver Grey (SG)



Physical data and Performance

| Item Number | Description | Dimensions | | | Acoustics NRC | Light Reflectance (White) | Pieces/Carton |
|-------------|------------------------|-----------------|--|--|------------------|------------------------------|---------------|
| | | Nominal WxLxH | | | | | |
| F1030M1__ | 100mm Unperforated | 100 x 2400 x 16 | | | N/A | 0.77 | 16 |
| F2030M1__ | 200mm Unperforated | 200 x 2400 x 16 | | | N/A | 0.77 | 10 |
| F3030M1__ | 300mm Unperforated | 300 x 2400 x 16 | | | N/A | 0.77 | 6 |
| F1030M2__ | 100mm Microperforated* | 100 x 2400 x 16 | | | 0.70 | 0.61 | 16 |
| F2030M2__ | 200mm Microperforated* | 200 x 2400 x 16 | | | 0.70 | 0.61 | 10 |
| F3030M2__ | 300mm Microperforated* | 300 x 2400 x 16 | | | 0.70 | 0.61 | 6 |

Material: Galvanized Steel – thickness 0.6mm

Surface Finish: Available in White (RAL9016), Silver Grey (RAL9005). Custom colours available.

Edge Detail: Square with extended flange. To create a Contrasts system, a black Filler Strip is available.

Fire Resistance: Conforms with NCC Spec. C1.10 as tested to AS 5637.1:2015 – Group 1, and ISO 5660 – Group 1 – S

Weight: 8.07kgs. m²

• When specifying or ordering, include the appropriate two letter colour suffix (eg F1030M1WH – for White, F1030M1SG – for Silver Grey)

* Microperforated panels feature an unperforated border and include acoustical fleece

| Item Number | Description | Dimensions (mm) | | | Pieces/Carton |
|-------------|-----------------------------|-----------------|-------|--------|---------------|
| | | Length | Width | Height | |
| BP5497M | Carrier Rail | 3000 | 40 | 40 | 10 |
| BP5498M | Flex Carrier Rail | 3000 | 40 | 25 | 10 |
| BP5499M | Carrier Rail Joiner | 100 | 38 | 16 | 50 |
| BP5580M | Carrier Rail Hanger Bracket | - | 60 | 75 | 100 |
| SCPF | Suspension Clip | - | - | - | 100 |

| Item Number | Description | Dimensions (mm) | | | Pieces/Carton |
|-------------|--------------------------------|-----------------|-------|--------|---------------|
| | | Length | Width | Height | |
| BP5494M | Contrasts Filler Strip (Black) | 2400 | 30 | 1.6 | 16 |
| BP5576M | Pressure Spring | 65 | 30 | 20 | 50 |
| BP6545M_* | 100mm Panel End Cap | 100 | 16 | 25 | 50 |
| BP6546M_* | 200mm Panel End Cap | 200 | 16 | 25 | 50 |
| BP6547M_* | 300mm Panel End Cap | 300 | 16 | 25 | 50 |
| BP6543_* | "E" Wall Moulding | 3000 | 25 | 50 | 10 |
| BP6351M | Speed Clip | 6 | 12 | 3 | 100 |
| BP5495M | 100mm Panel Splice Plate | - | 100mm | - | 50 |
| BP5496M | 200mm Panel Splice Plate | - | 200mm | - | 50 |
| BP5575M | 300mm Panel Splice Plate | - | 300mm | - | 50 |

* When specifying or ordering, include the appropriate two letter colour suffix to match panel.



RH99
Humidity
Resistant



Product
Handling
Durability



Light
Reflectance



Fire
Resistance



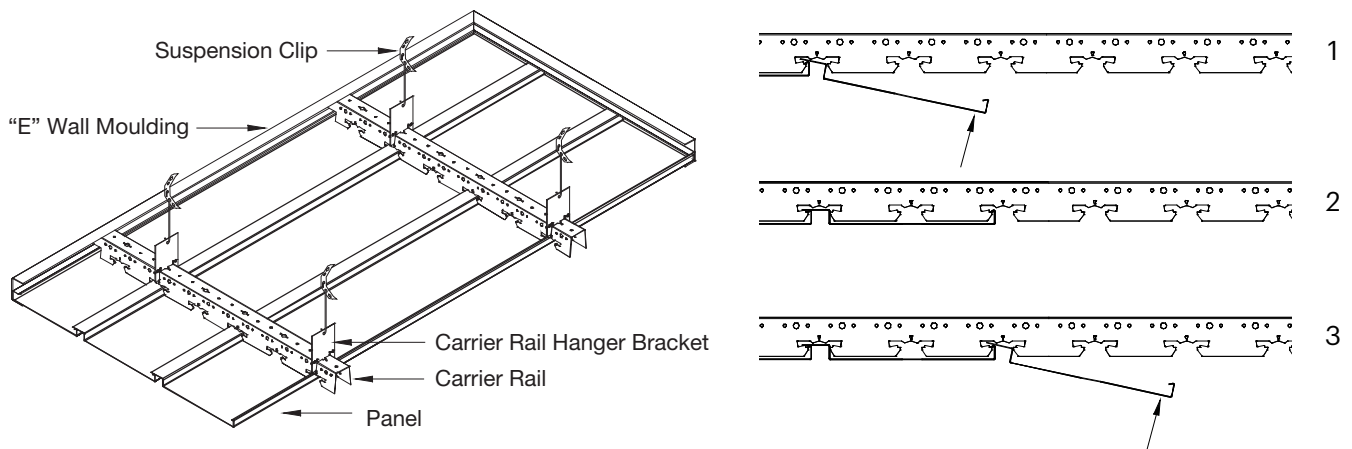
Colour
Selection



Acoustical
Comfort



Installation Detail



METALWORKS F-Plank are simply raised into position and clicked into the Carrier Rail. Refer to the METALWORKS F-Plank System Components and also the Assembly and Installation Instructions for more details.

Contact us

Armstrong Ceiling Solutions (Australia) Pty. Ltd.

NSW / ACT
(02) 9748 1588

VIC / TAS
(03) 8706 4000

QLD / NT
(07) 3809 5565

Armstrong[®]
CEILING SOLUTIONS

©2021 Armstrong Ceiling Solutions (Australia) Pty Ltd
AWP0821 | Produced 12 August 2021

info@armstrongceilings.com.au
www.armstrongceilings.com.au