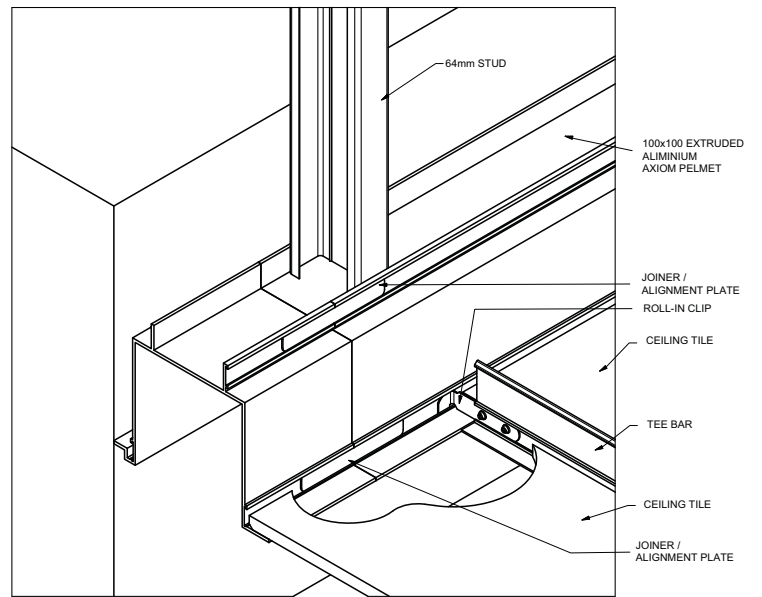
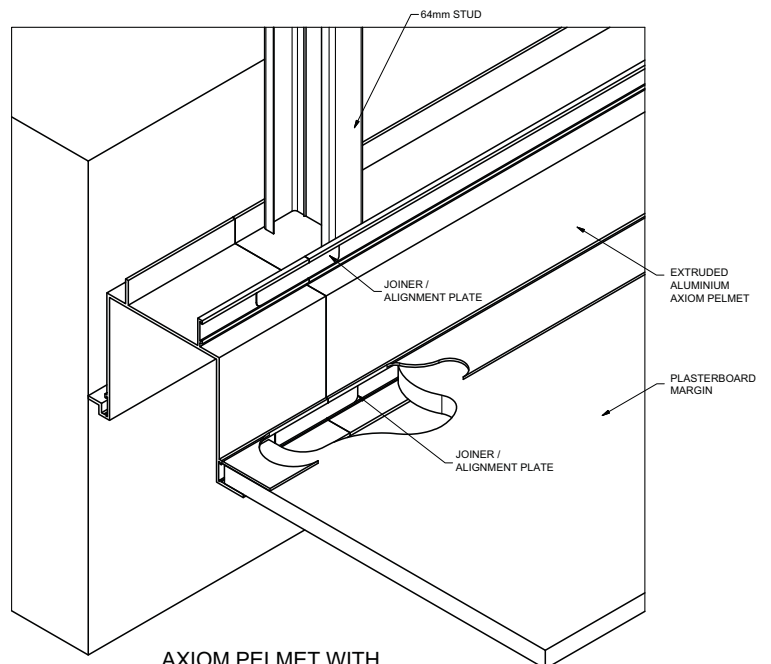


Axiom Pelmet

Armstrong Axiom Pelmet is a pre-engineered and factory finished perimeter solution for the simple location and fixing of blinds or curtains. Axiom Pelmet provides simple transition between a building facade and the main ceiling system.



AXIOM PELMET WITH CONNECTION TO CEILING GRID SYSTEM



AXIOM PELMET WITH CONNECTION TO SET PLASTERBOARD CEILING

Axiom Pelmet

Benefits

Dual Application: Armstrong Axiom Pelmet accommodates simple transition to either a set plaster or grid ceiling system.

Installation: The Axiom Pelmet profile is positioned adjacent to the building perimeter, typically adjacent to a window head and is mechanically fixed (from above) via standard '64mm studs' and connected at ends via standard Joiner Plates. Note: It is recommended that the Axiom Pelmet be trimmed on site with drop saw to achieve exact size and squareness at ends.

Grid Ceiling Connection: Following removal of 'snap off' leg on Axiom Pelmet, connect to PeakForm (steel) or Blue Tongue (aluminium) Tee Bars using 'Roll In' Clips.

Plasterboard Ceiling Connection: The Axiom Pelmet accommodates 13mm plasterboard, which simply sits on the leading flange and is screw fixed from beneath into the 'snap off' leg.

Material: Extruded aluminium

Finish: Polyester powdercoat: Colour to be equivalent to Dulux Satin White

Dimensions: 3600 x 100 x 100mm

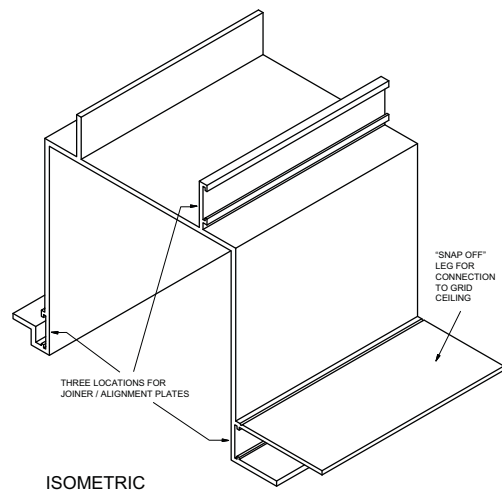
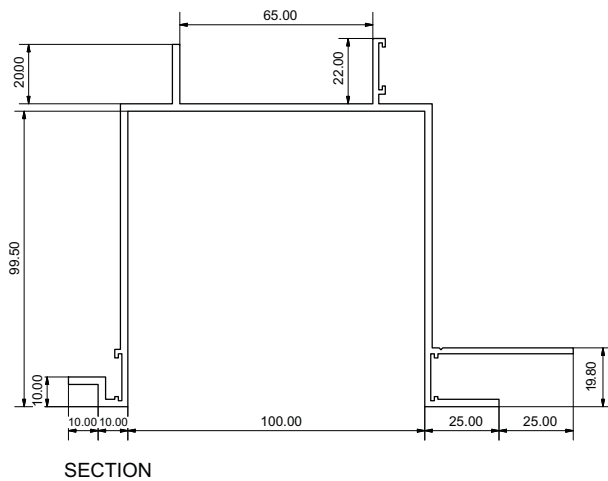
Item No. ZL-8483-3600

Accessories:



Joiner/alignment plate
Item: ALMRJS

Options: Other profiles are available upon request, including integration with linear / punched slot air diffusers. More details are available in the Armstrong Blue Tongue Brochure, or contact your Armstrong office.



NSW

Armstrong World Industries Pty. Ltd.
99 Derby Street
Silverwater NSW 2128
Telephone (02) 9748 1588
Facsimile (02) 9748 8449

QLD/NT

Armstrong World Industries Pty. Ltd.
6 Barrinia Street
Slacks Creek QLD 4127
Telephone (07) 3809 5565
Facsimile (07) 3809 5507

WA

Ceiling Manufacturers of Australia Pty. Ltd.
5 Irvine Street
Bayswater WA 6053
Telephone (08) 9271 0777
Facsimile (08) 9272 2801

VIC/TAS

Armstrong World Industries Pty. Ltd.
Unit 1, 88 Henderson Road
Rowville VIC 3178
Telephone (03) 8706 4000
Facsimile (03) 8706 4040

SA

Total Building Systems Pty. Ltd.
160 Grand Junction Road
Blair Athol SA 5084
Telephone (08) 7325 7555
Facsimile (08) 7325 7566

New Zealand

Forman Building Systems Ltd.
PO Box 12349
Penrose, Auckland
Telephone 64-9-276 4000
Facsimile 64-9-276 4141

www.armstrongceilings.com.au

Printed on Zanders Mega Recycled paper

©2016 Armstrong World Industries Pty Ltd.

AWP0216

Inspiring Great Spaces™

Armstrong®

CEILING SYSTEMS