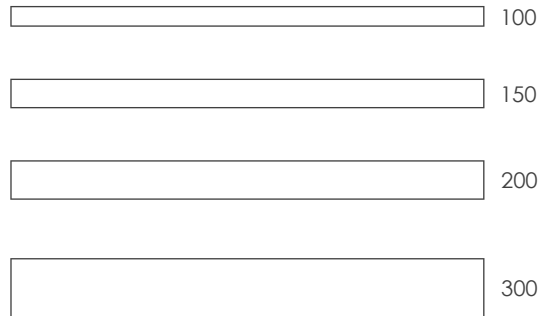
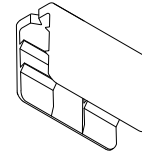


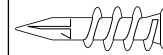
## FIN BAFFLES



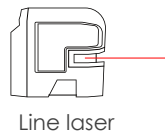
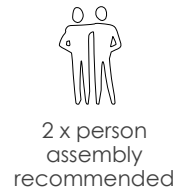
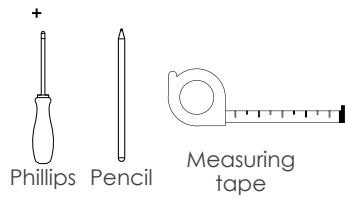
## FINLOCK MOUNT

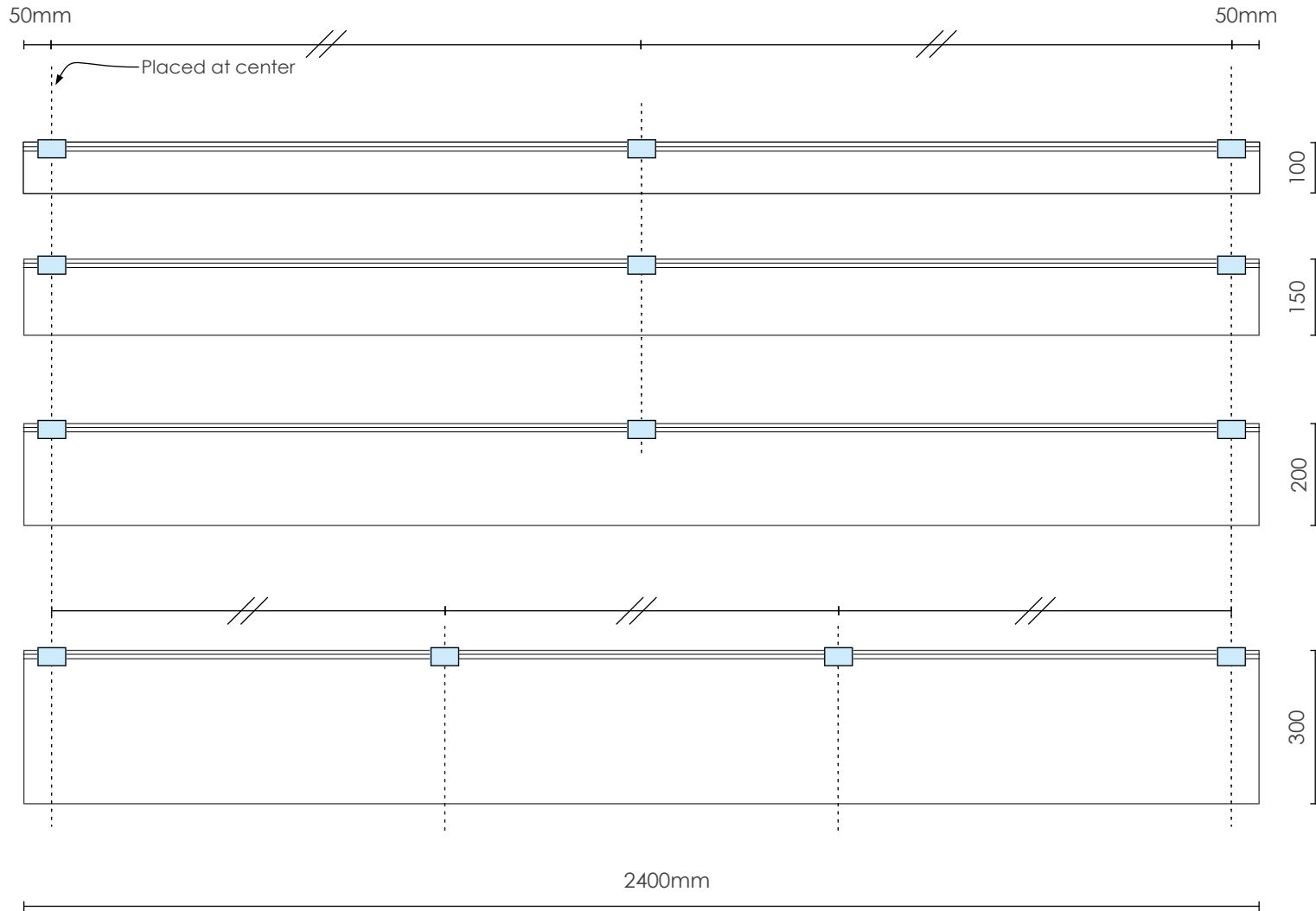


## SCREWS



## NOT INCLUDED

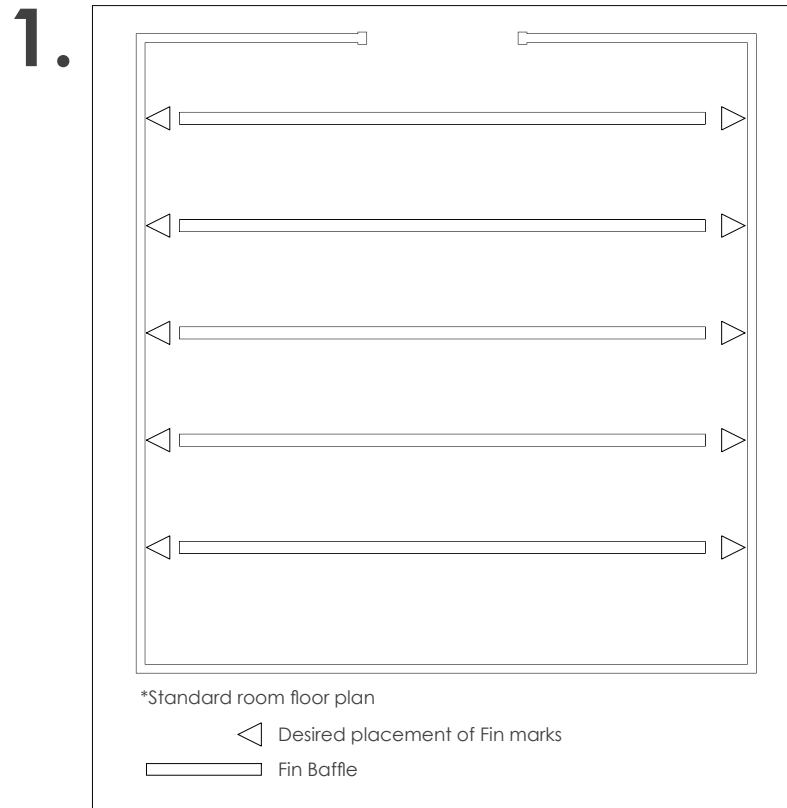




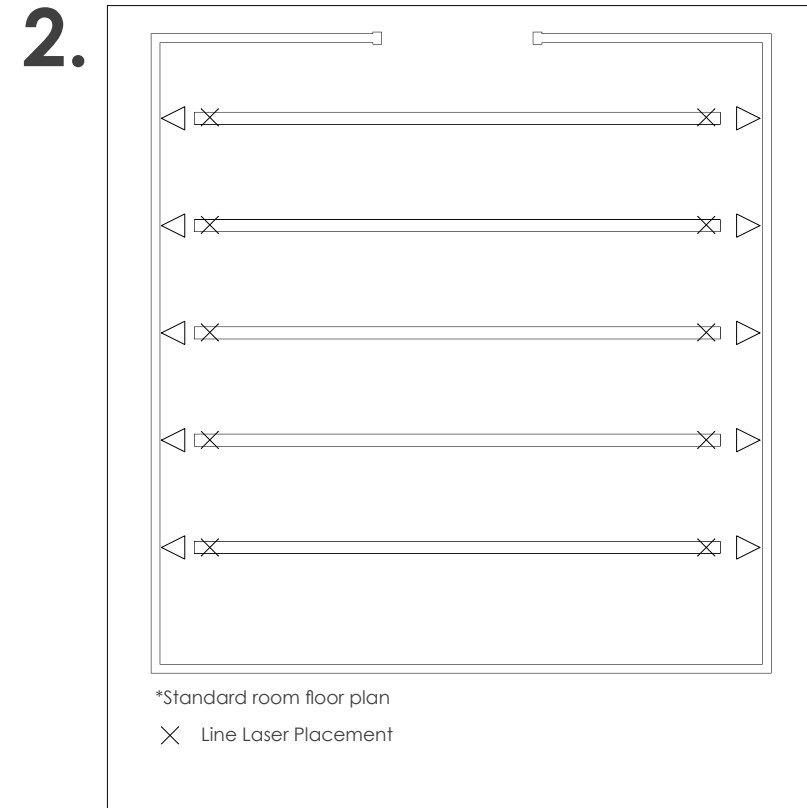
## Finlock placement

100mm-200mm	3 x FinLocks™
200mm	4 x FinLocks™

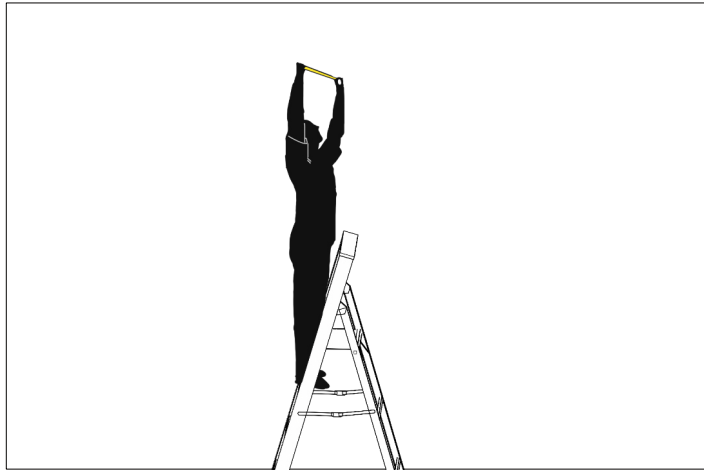
Inner placement of Finlocks distributed evenly



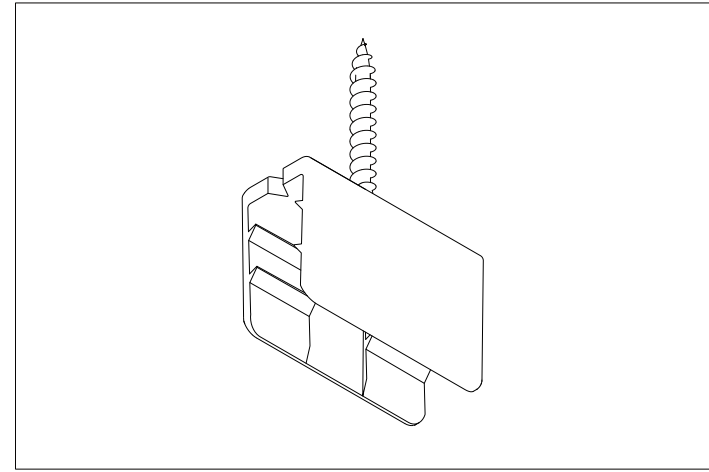
Measuring centre to centre, mark the desired placement of Fin baffles on floor.



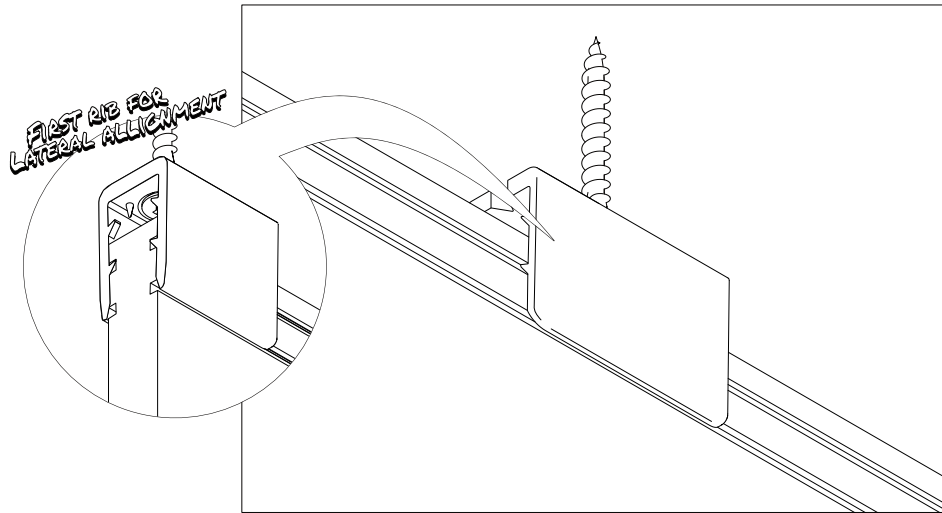
Place Line laser at one end of where Fin-Lock clip would be (See Page 2 for dimensions), projecting laser onto ceiling.



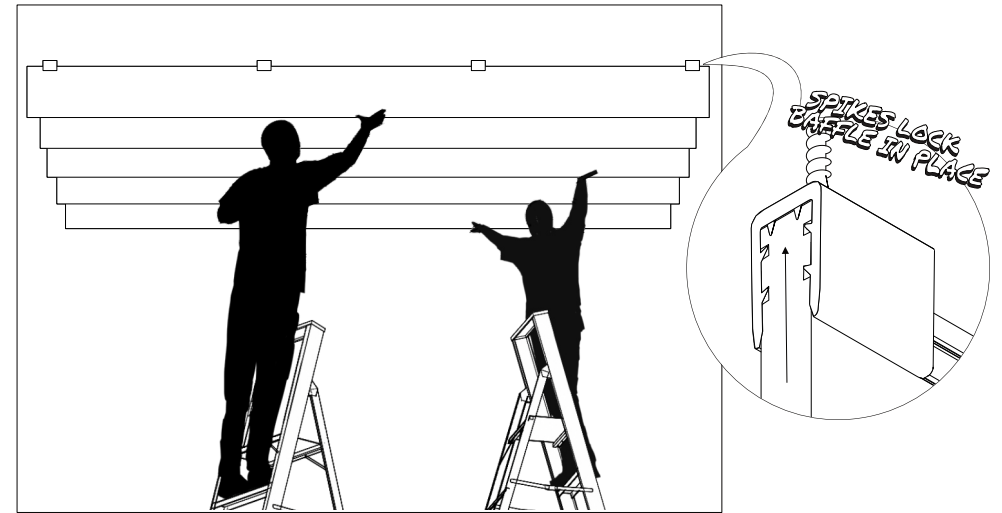
**3** Mark mounting spots on ceiling, take care to insure they are in a straight line.



**4** Using appropriate anchor, screw all FinLock mounting brackets to ceiling at designated spots. Use the notches on the FinLock to align with laser, take care not to over tighten.



**5** Insert acoustic fin into FinLock mounting bracket engaging first rib, the acoustic fin will be held securely and will allow for lateral alignment.



**6** Once in the correct position, press Fin up to engage the second rib and Fin will be securely locked in place via inner spikes.