

Woodworks™ Linear Planks



WOODWORKS™

Woodworks™ Linear Planks

Laminates



FL(L) – Flaxen



AC(L) – Acacia



TE(L) – Tasman Elm

Veneers (Also available in Laminates)



HP(L)(V) – Hoop Pine
Rotary Cut



TO(L)(V) – Tasmanian
Oak Quarter Cut



AW(L)(V) – American
Walnut Crown Cut

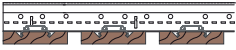
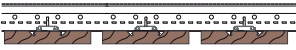
- Attractive linear visual
- Easy to install, pre-engineered grid and plank system – all from one supplier
- Acoustical performance for a more comfortable environment
- Range of veneers and laminates
- Two standard plank widths; 80mm or 130mm, with 20mm reveals
- Ceiling or wall application

Colours are representative and may vary from samples and actual product.



Physical Data

System Selection

Edge Profile	Item Number	Dimensions	Acoustics: NRC
WOODWORKS™ Linear – Nominal 100mm Module 	WO80	2400 x 80 x 17mm with 20mm reveal Open area: 18%	0.50* 0.80* with Optra 15 overlay
WOODWORKS™ Linear – Nominal 150mm Module 	W0130	2400 x 130 x 17mm with 20mm reveal Open area: 12%	0.45* 0.65* with Optra 15 overlay

* Note: Acoustic values based on open area and other correlating WoodWorks test data.



Conforms with NCC
Spec. C1.10 as tested
to AS 5637.1:2015 –
Group 3



Moisture
Resistant MDF



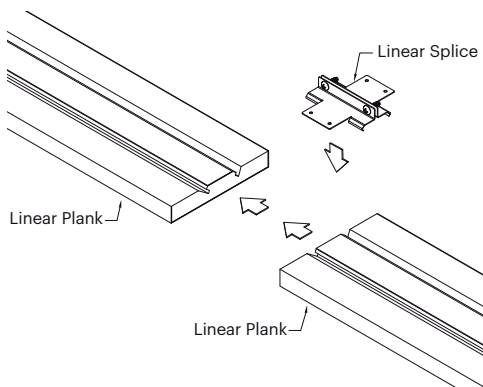
Suspension System

Item Number	Description	Dimensions	Pieces/Carton
BP734043BLW100	PeakForm™ Prelude™ XL 24mm Main Bars (Black) with integrated (factory applied) locking clips installed at 100mm centres	3600 x 24 x 43mm	10
BP734043BLW150	PeakForm™ Prelude™ XL 24mm Main Bars (Black) with integrated(factory applied) locking clips installed at 150mm centres	3600 x 24 x 43mm	10

Accessories and Specification

Item Number Description

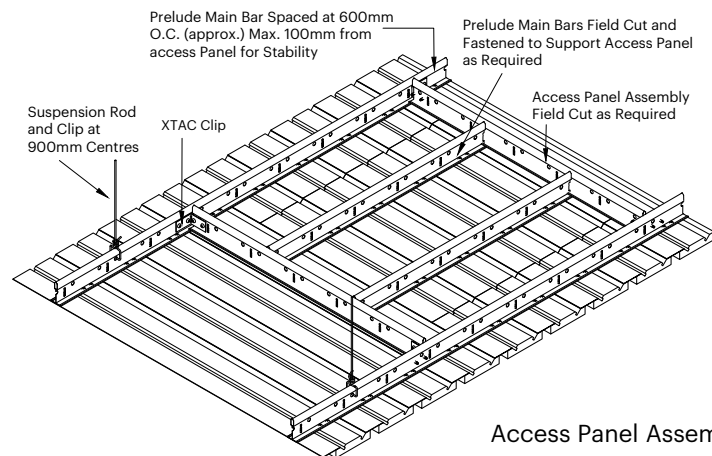
WWLS80 Linear Wood Plank Splice 80mm



Linear Splice Detail

Item Number Description

WWLS130 Linear Wood Plank Splice 130mm



Access Panel Assembly

Specification: WOODWORKS Linear Planks with Black PeakForm™ Prelude™ XL 24mm Tee Suspension Grid, with factory pre-fitted locking clips. Main Bars to be installed at 600centres

Application: WOODWORKS™ are for interior application only

Panel Material: Moisture Resistant MDF

Surface Finish: Laminate, Veneer.
Note: Variation among panels may occur due to the natural characteristics of the wood and grain

Acoustic Inlay: Black acoustic fleece as standard

Plank Sizes: 80mm or 130mm

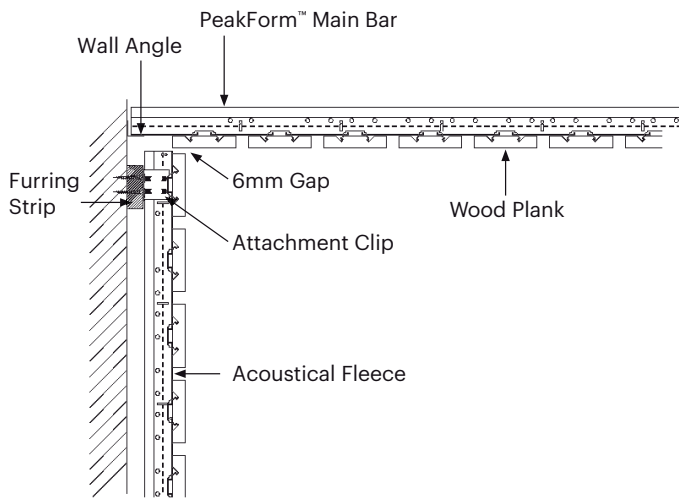
System Weight: 10.5 kg/m² (80mm plank with Prelude XL 24mm Grid)
12.5 kg/m² (130mm plank with Prelude XL 24mm Grid)

Perimeter Solutions: Range of standard Axiom aluminium wall angles, transition trims or pelmets

Item Numbers: Item numbers have three elements:

EXAMPLE: **WO80 HP (L)(V)**
 Panel: Linear Plank 80mm wide
 Finish: Hoop Pine Rotary Cut
 Material: Laminate or Veneer

Ceiling to Wall Transitions



90° Ceiling-to-Wall System Assembly



Contact us

Armstrong Ceiling Solutions (Australia) Pty. Ltd.

NSW / ACT
(02) 9748 1588

VIC / TAS
(03) 8706 4000

QLD / NT
(07) 3809 5565

Armstrong[®]
CEILING SOLUTIONS

©2021 Armstrong Ceiling Solutions (Australia) Pty Ltd
AWP0921 | Produced 13 September 2021

info@armstrongceilings.com.au
www.armstrongceilings.com.au